

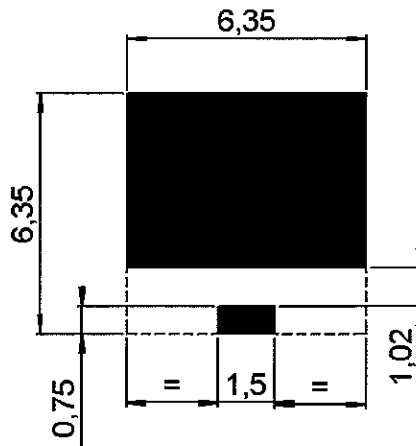
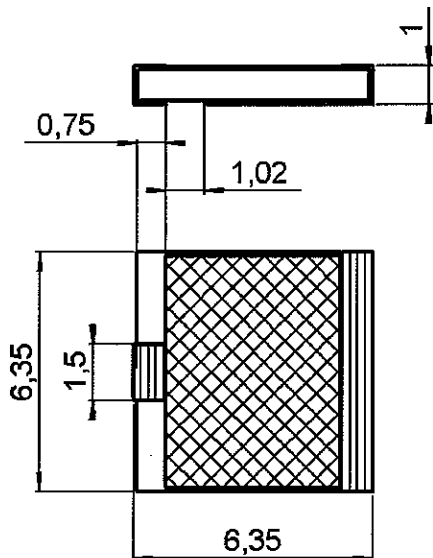
SMT TERMINATION (ALN)

R401.410.102

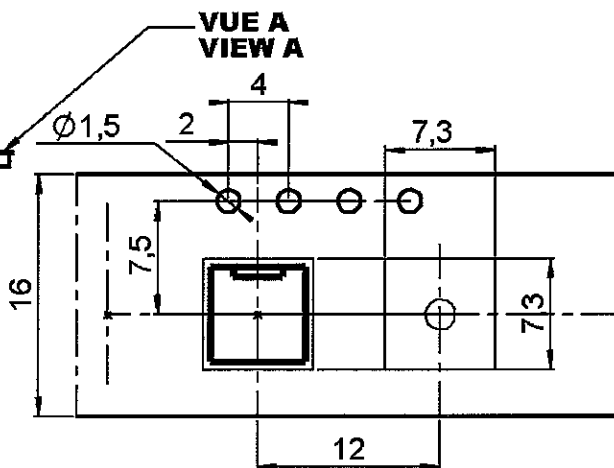
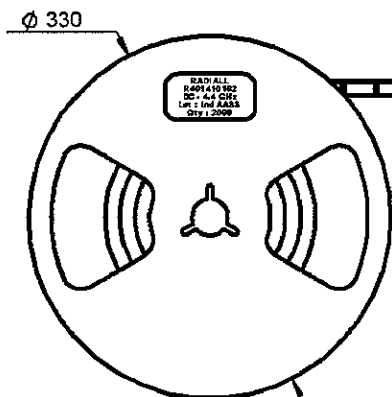
DC - 4.4GHZ 30-60W (TRUE SURFACE MOUNT)

Series :
TERMINATION

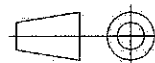
SOLDERING PATTERN



* CONDITIONNEMENT PAR 2000
PACKAGING BY 2000 *



dimensions are in mm.



Issue : 0520 A

In the effort to improve our products, we reserve the right to make changes judged to be necessary.



SMT TERMINATION (ALN)

R401.410.102

DC - 4.4GHZ 30-60W (TRUE SURFACE MOUNT)

Series :
TERMINATION

ELECTRICAL CHARACTERISTICS

Frequency range : DC – 4.4 GHz
 Impedance : 50 ohms ±5%
 Average Power : 60 W

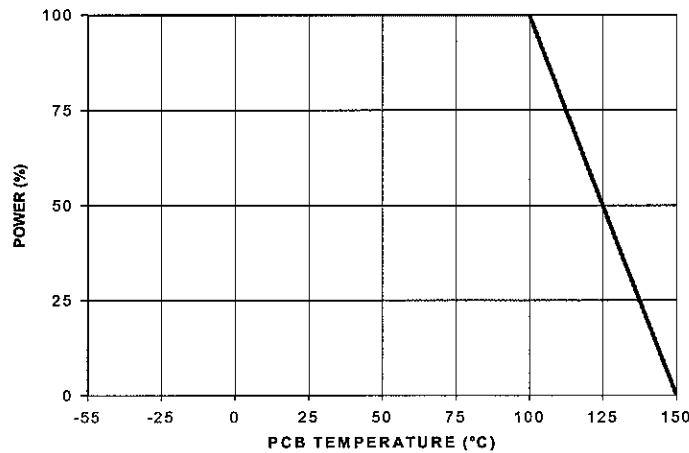
Frequency	DC – 2.2 GHz	DC – 4.4 GHz			
V.S.W.R	<= 1.15	<= 1.25			

MECHANICAL CHARACTERISTICS

Substrate : AlN
 Resistive film type : Thick film
 Protective coating : Epoxy
 Solderable terminal & ground : AgPd

OTHER CHARACTERISTICS

Power derating
 Versus temperature



ENVIRONMENTAL

Operating temperature range : -55°c + 150°c

****IMPORTANT NOTE FOR POWER DISSIPATION**

30W : When mounted on PCB 0.8mm thick Sn 35µ plated with 48 via holes Ø 0.5mm filled with Sn96Ag4 solder.

60W : When directly soldered on Ø 4.5mm Cu cylinder acting as a thermal drain.

Issue : 0520 A

In the effort to improve our products, we reserve the right to make changes judged to be necessary.



RADIALL®